



A Maxcess
International
Company

Magnetic Power Systems, Inc.

1626 Manufacturers Drive. Fenton, MO 63026

Tel: 636.343.5550 | Fax: 636.326.0608 | magpowr@magpowr.com

INSTRUCTION MANUAL DFP DANCER / FOLLOWER ARM POSITION SENSOR

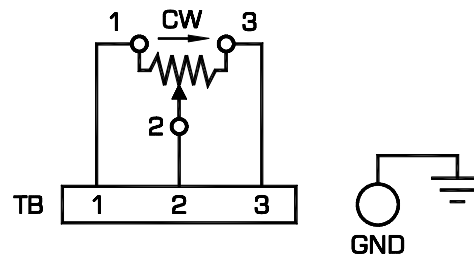
The model DFP dancer / follower arm position sensor is available with four resistance values of potentiometers. The standard DFP is 1 kohm the DFPS4 is 2.5 kohm the DFPS5 is 5 kohm and the DFPS6 is 10 kohm.

SPECIFICATIONS

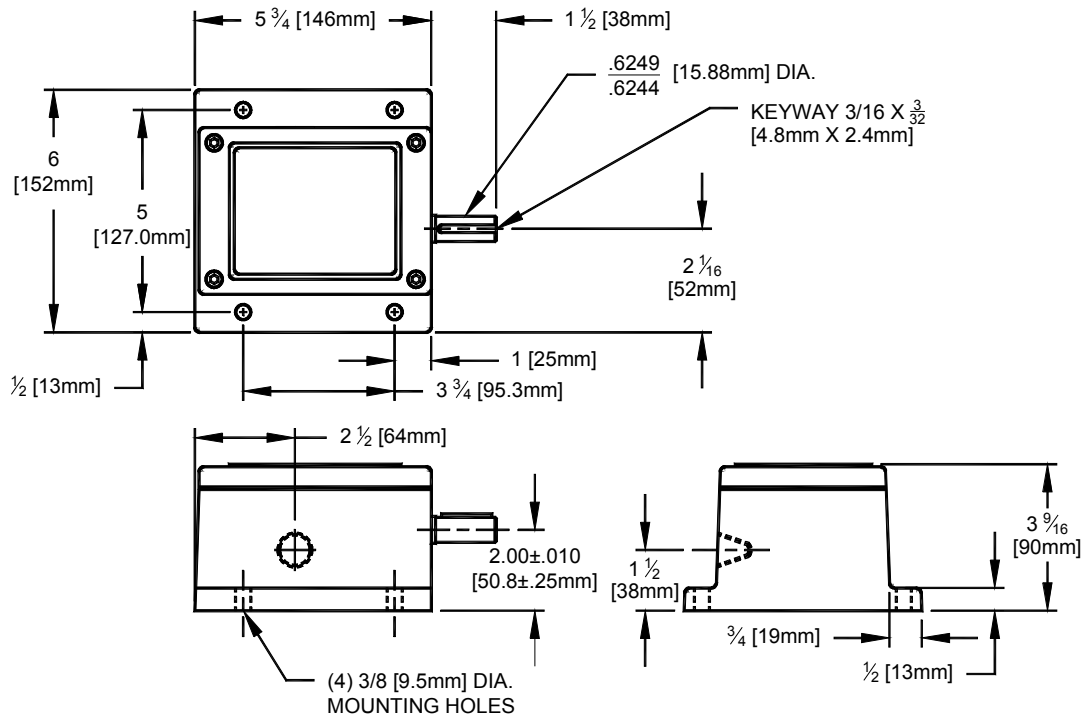
	<u>DFP</u>	<u>DFPS4</u>	<u>DFPS5</u>	<u>DFPS6</u>
Supply voltage:	5 vdc	5 vdc	5 vdc	5 vdc
Supply current:	5 madc	2 madc	1 madc	0.5 madc
Climate class:	3k3	3k3	3k3	3k3

ELECTRICAL CONNECTIONS

Connections are made to a screw type terminal block, no solder connections are required.



Potentiometer output is centered with the keyway facing towards the top cover.



MAINTENANCE

Due to the high quality of the potentiometer and its basic design, maintenance is generally not necessary. However, replacement potentiometers can be ordered.